

Folding stair

FS100 SERIES

Folding Stairs are needed to provide safe and convenient access and exit from the fixed platform to the top of road or railway tanker. They are manually or pneumatically operated, easily lifted, automatically adjusted to the tanker height. Available with 3, 4 or 5 steps, with or without safety cage, with custom color coding.



Standards and regulations

- 94/9/EC Directive (ATEX)
- 2006/42/EC Directive (Machinery)

Technical specifications

- Design temperature:
-25 / +65 °C
- Hot galvanized carbon steel



Components description (standard version)

- Parking locking device
- Adjustable support chain
- Minimum step width: 25 cm
- Slip-resistant, self-leveling steps
- Anti-toe trap function on each step
- Spring compression cylinder
- Padded lower edge
- Hand and knee rails
- Water and dust tight, maintenance free main bearings

ZIPFLUID[®]
Fluid Transfer Systems

Folding Stair

PLUS

CUSTOM COLOR CODING

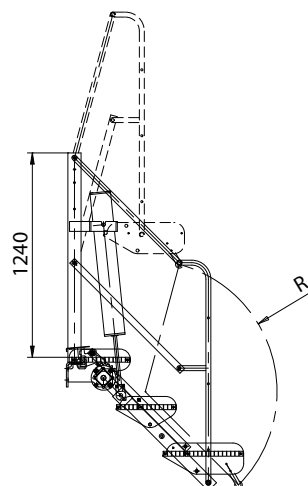
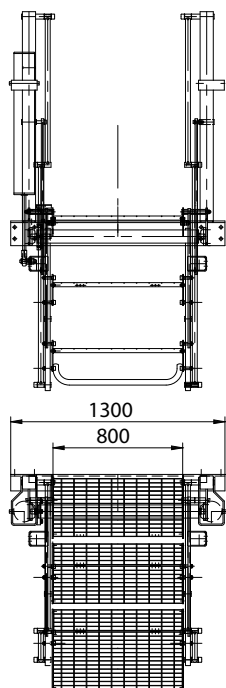
FULL UNIFORMITY
TO COMPANY
STANDARD

Options

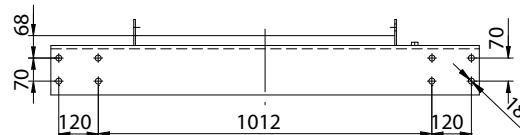
- Custom color coding
- Pneumatic actuation

Accessories

- Working area safety cage 1400x1400 mm
- Working area safety cage 1400x2800 mm
- Switch for parking position
- Track system



GRATING



Dimensions

- 3 steps ▶ R = 800 mm
- 4 steps ▶ R = 1200 mm
- 5 steps ▶ R = 1600 mm

Standard documentation

- Declaration of conformity to applicable directives
- Final Test report
- Owner manual including BOM and spare part list



Zipfluid
Fluid Transfer Systems